

MAX internal diameter

$\phi 140$

MAX illuminated diameter

$\phi 121$

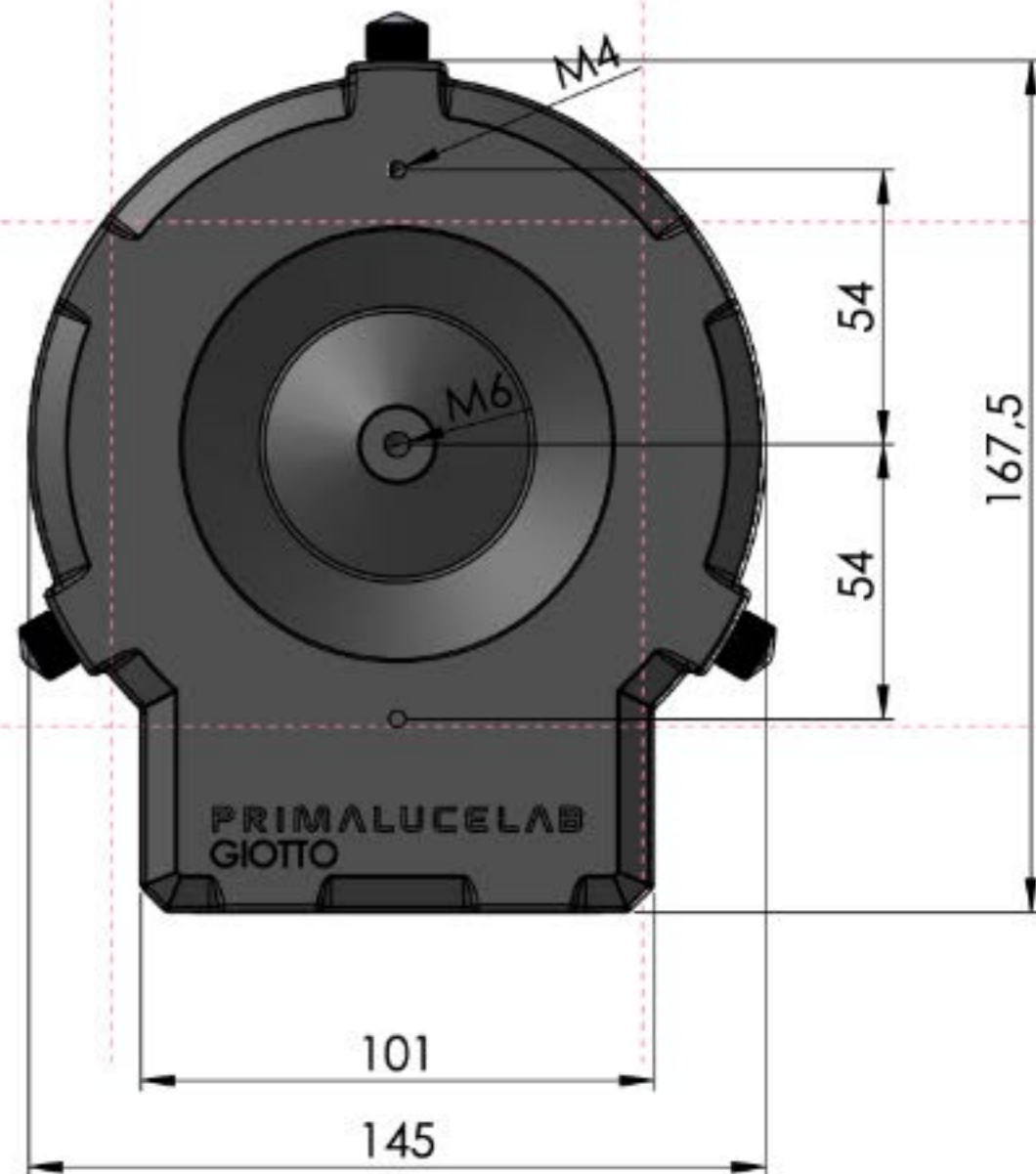
$\phi 77$

167,6

101



35



M4

M6

PRIMALUCELAB
GIOTTO

54

54

167,5

101

145